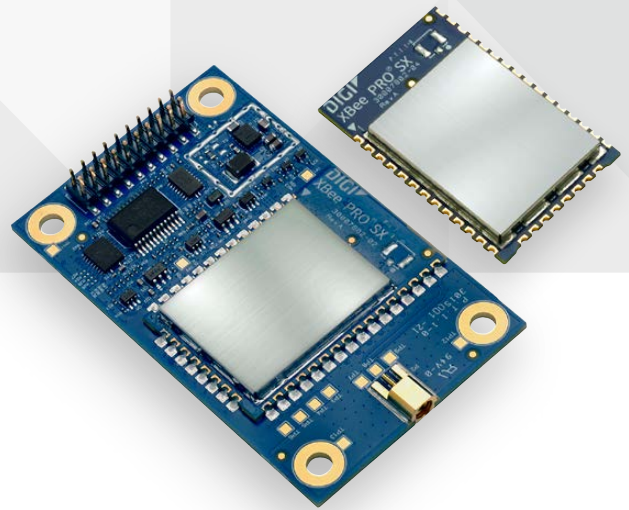




1 WATT/900 MHZ  
OEM RF MODULES



# XTEND<sup>®</sup> OEM RF MODULES

Long-range wireless modules enable communication from UART serial data with peer-to-peer, point-to-multipoint, repeater and DigiMesh<sup>®</sup> networking topologies

The XTend OEM RF module provides unprecedented range in a low-cost wireless data solution. The module is easy to use, requires minimal power, provides reliable delivery of critical data between devices and is now available in the even smaller Digi XBee<sup>®</sup> Surface Mount form factor to save valuable PCB space.

The XTend module utilizes FHSS (Frequency Hopping Spread Spectrum) agility to avoid interference by hopping to a new frequency on every packet transmission or re-transmission. Its transmit power is software adjustable from 100 mW to 1 W—the maximum output power allowable by governments

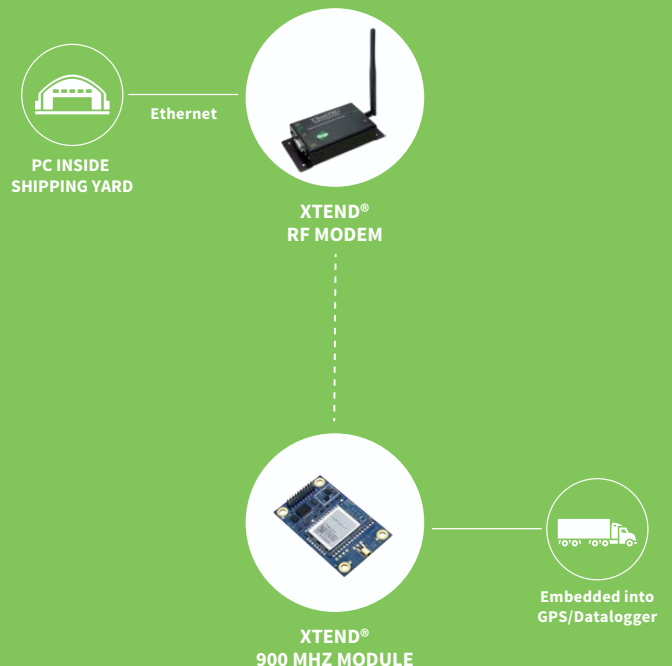
that use 900 MHz as a license-free band. The XTend module is approved for use in the United States, Canada, Australia and other countries (contact Digi for a complete listing).

Innovations stamped in its design enable the XTend module to supply two- to eight-times the range of other modules operating within the unlicensed 900 MHz frequency band. The range gained by OEMs and integrators is due to proprietary technologies embedded into each module, including superior RX (receiver) sensitivity, interference immunity, modulation/demodulation techniques and others.

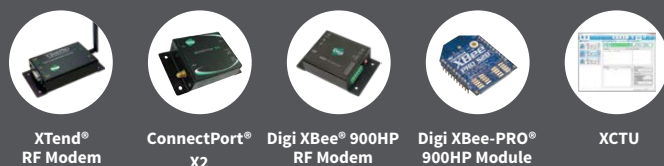
## BENEFITS

- Indoor/urban range up to 1000 feet
- Outdoor line-of-sight range up to 40 miles (with high gain antenna)
- Outstanding receiver sensitivity (-110 dBm @ 9600 bps)
- Peer-to-peer, point-to-multipoint, repeater and DigiMesh networking topologies
- Adjustable power output from 100 mW to 1 W; up to 4 W EIRP (with 6 dBi antenna)
- Available in the XTend and Digi XBee SMT form factors

## APPLICATION EXAMPLE



## RELATED PRODUCTS



# SPECIFICATIONS

XTend® VB Module

| Digi XBee®-PRO XTC Module

| Digi XBee® XTC Module

## PERFORMANCE

<b>FREQUENCY RANGE</b>	ISM 902 – 928 MHz		
<b>INDOOR/URBAN RANGE</b>	Up to 1000 feet (305 m) with 2.1 dB dipole antenna	Up to 360 ft (110 m)	
<b>OUTDOOR RF LINE-OF-SIGHT RANGE</b>	Up to 40 miles (64 km) with high gain antenna; Up to 14 miles (22 km) with 2.1 dB dipole antenna	Up to 5 miles with high gain antenna	
<b>TRANSMIT POWER (SOFTWARE SELECTABLE)</b>	100 mW - 1 W (20 - 30 dBm)	Up to 13 dBm	
<b>INTERFACE DATA RATE</b>	1,200 - 230,400 bps (including non-standard baud rates)		
<b>RECEIVER SENSITIVITY (1% PER)</b>	-110 dBm (@9,600 bps throughput data rate), -100 dBm (@115,200 bps)		
<b>RF DATA RATE</b>	10 kbps to 125 kbps		
<b>HARDWARE INTERFACE</b>	20 pin 2 mm pitch header	37 castellated SMT pads	
<b>SIZE</b>	3.7 cm x 6.1 cm x 4.8 cm	3.38 cm x 2.21 cm x 1.29 cm	
<b>ANTENNA OPTIONS</b>	MMCX, RPSMA	RF Pad, U.FL	

## NETWORKING AND SECURITY

<b>SPREAD SPECTRUM</b>	FHSS (Frequency Hopping Spread Spectrum)		
<b>MODULATION</b>	FSK (Frequency Shift Keying)		
<b>SUPPORTED NETWORK TOPOLOGIES</b>	Point-to-Point, Point-to-Multipoint, Repeater, Mesh		
<b>CHANNEL CAPACITY</b>	10 hop sequences share 50 frequencies		
<b>ENCRYPTION</b>	256-bit / 128-bit AES		

## POWER REQUIREMENTS

<b>SUPPLY VOLTAGE</b>	2.8 – 5.5 VDC		
<b>RX CURRENT</b>	35 mA @ 5V	40 mA @ 3.3V	
<b>TRANSMIT CURRENT</b>	Up to 710 mA @ 30 dBm	Up to 900 mA @ 30 dBm	Up to 55 mA @ 13 dBm
<b>SHUTDOWN MODE POWER DOWN</b>	1 µA typical		
<b>PIN SLEEP POWER DOWN</b>	< 147 µA	2.5 uA	
<b>CYCLIC SLEEP (IDLE CURRENT)</b>	0.3 – 0.8 mA (16 sec cyclic sleep)		

## ENVIRONMENTAL

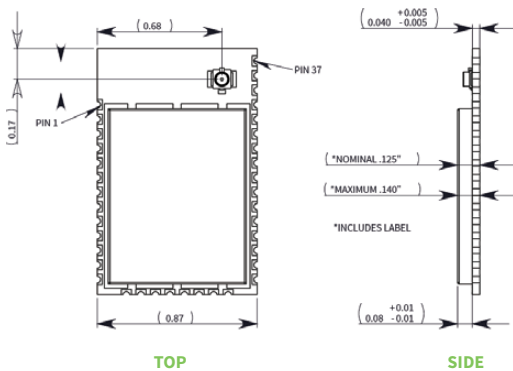
<b>OPERATING TEMPERATURE</b>	-40° C to 85° C (Industrial)		
------------------------------	------------------------------	--	--

## CERTIFICATIONS

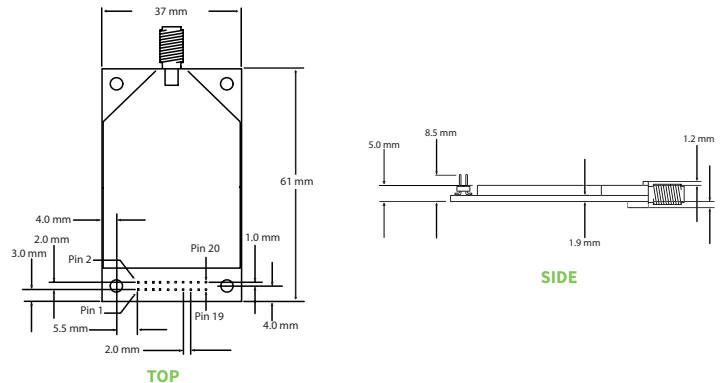
<b>FCC ID (U.S. CERTIFICATION PART 15.247)</b>	MCQ-XBPSX	MCQ-XBPSX	MCQ-XBSX
<b>IC ID (CANADA)</b>	1846A-XBPSX	1846A-XBPSX	1846A-XBSX
<b>C-TICK (AUSTRALIA)</b>	RCM		

# LINE ART

DIGI XBEE/DIGI XBEE-PRO XTC MODULE



XTEND VB MODULE



PART NUMBERS	DESCRIPTION
<b>XTEND VB MODULES</b>	
XTP9B-DMS-001	9XTend Replacement, DigiMesh, RPSMA, North America
XTP9B-DMM-001	9XTend Replacement, DigiMesh, MMCX, North America
XTP9B-DPS-001	9XTend Replacement, P2MP, RPSMA, North America
XTP9B-DPM-001	9XTend Replacement, P2MP, MMCX, North America
XTP9B-DPS-721	9XTend Replacement, P2MP, RPSMA, 128 AES Australia
XTP9B-DPM-721	9XTend Replacement, P2MP, MMCX, 128 AES Australia
<b>DIGI XBEE/DIGI XBEE-PRO XTC (XTEND COMPATIBLE) MODULES</b>	
XBP9XT-DMRS-001	Digi XBee-PRO XTC, 1W, DigiMesh, SMT, RF Pad, North America
XBP9XT-DMUS-001	Digi XBee-PRO XTC, 1W, DigiMesh, SMT, U.FL, North America
XBP9XT-DPRS-001	Digi XBee-PRO XTC, 1W, P2MP, SMT, RF Pad, North America
XBP9XT-DPUS-001	Digi XBee-PRO XTC, 1W, P2MP, SMT, U.FL, North America
XB9XT-DMRS-001	Digi XBee XTC, 20 mW, DigiMesh, SMT, RF Pad, North America
XB9XT-DMUS-001	Digi XBee XTC, 20 mW, DigiMesh, SMT, U.FL, North America
XB9XT-DPRS-001	Digi XBee XTC, 20 mW, P2MP, SMT, RF Pad, North America
XB9XT-DPUS-001	Digi XBee XTC, 20 mW, P2MP, SMT, U.FL, North America
XB9XT-DPRS-721	Digi XBee XTC, 20 mW, P2MP, SMT, RF Pad, 128 AES, Australia
XB9XT-DPUS-721	Digi XBee XTC, 20 mW, P2MP, SMT, U.FL, 128 AES, Australia
XBP9XT-DPRS-721	Digi XBee-PRO XTC, 1W, P2MP, SMT, RF Pad, 128 AES, Australia
XBP9XT-DPUS-721	Digi XBee-PRO XTC, 1W, P2MP, SMT, U.FL, 128 AES, Australia

FOR MORE INFORMATION  
PLEASE VISIT [WWW.DIGI.COM](http://WWW.DIGI.COM)

**DIGI SERVICE AND SUPPORT** / You can purchase with confidence knowing that Digi is always available to serve you with expert technical support and our industry leading warranty. For detailed information visit [www.digi.com/support](http://www.digi.com/support).

© 1996-2017 Digi International Inc. All rights reserved.  
All trademarks are the property of their respective owners.

91001416  
E4/717

**DIGI INTERNATIONAL WORLDWIDE HQ**  
877-912-3444 / 952-912-3444 / [www.digi.com](http://www.digi.com)

**DIGI INTERNATIONAL GERMANY**  
+49-89-540-428-0

**DIGI INTERNATIONAL JAPAN**  
+81-3-5428-0261 / [www.digi-intl.co.jp](http://www.digi-intl.co.jp)

**DIGI INTERNATIONAL SINGAPORE**  
+65-6213-5380

**DIGI INTERNATIONAL CHINA**  
+86-21-50492199 / [www.digi.com.cn](http://www.digi.com.cn)

